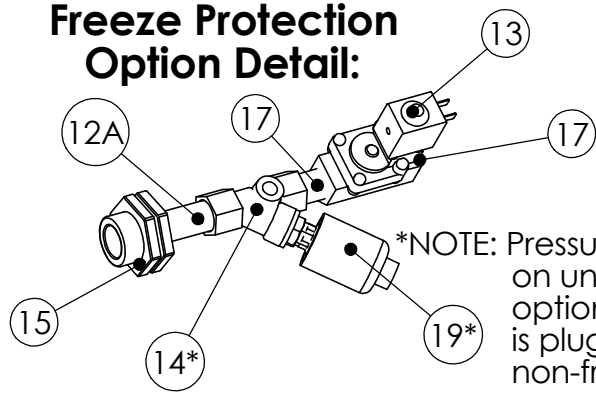


Freeze Protection Option Detail:



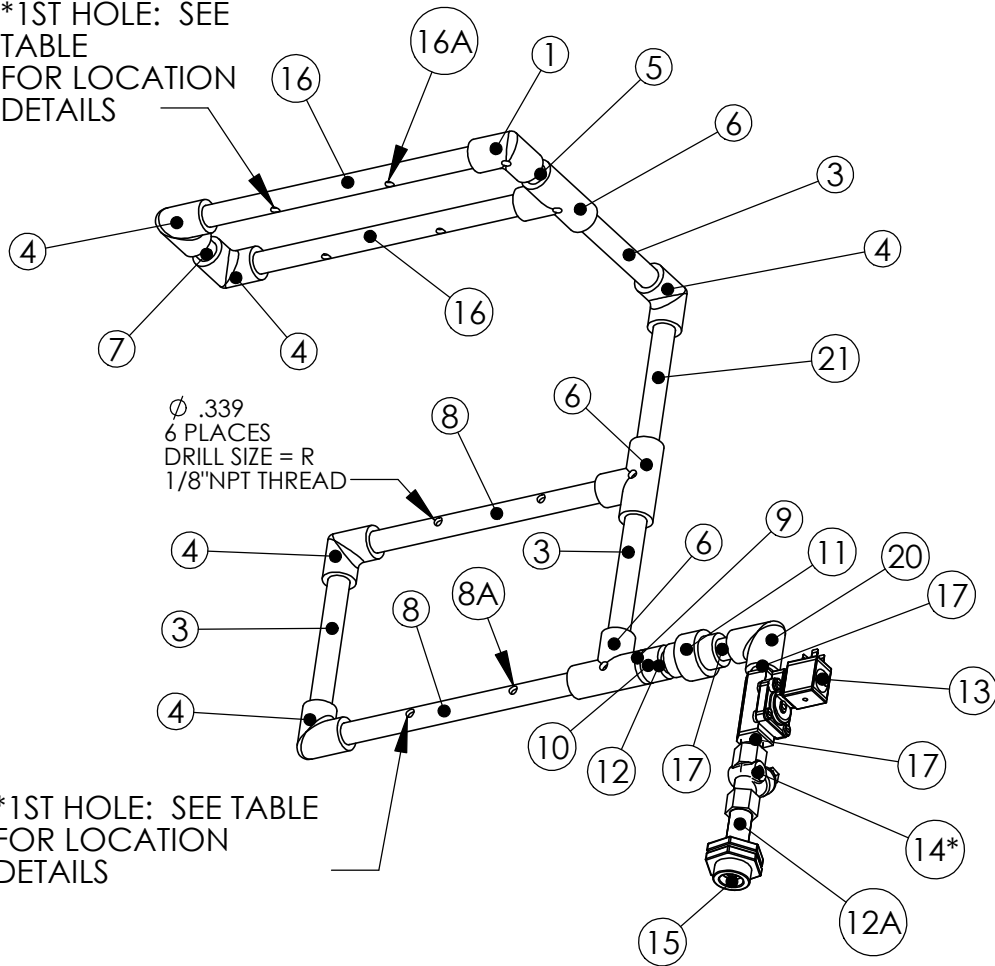
*NOTE: Pressure Switch is only installed on units with Freeze protection option. 1/4" connection on strainer is plugged in all standard non-freeze-protection cases.

Spraybar Hole Locations			
Spray Bar Type	1st Hole* distance to end (On Center)	Hole to hole spacing (On Center)	# of Holes on Bar (Not including Elbow or Tee)
Item # 8 - Lower SB	3.75"	4.5"	2
Item # 16 - Top SB	3.75"	5"	2

BILL OF MATERIALS

ITEM NUMBER	DESCRIPTION	QUANTITY
1	1/2" PVC SMOOTH ELBOW W/ NOZZLE HOLE	1
2	1/2" X 6-1/4" SMOOTH PVC PIPE	3
3	1/2 x 6" SMOOTH PVC PIPE	2
4	1/2" PVC SMOOTH ELBOW	6
5	1/2 X 2" SMOOTH PVC PIPE	1
6	1/2" SMOOTH PVC "T" W/ NOZZLE HOLE	3
7	1/2" X 2-1/4" SMOOTH PVC PIPE	1
8	1/2" X 11-1/2" SMOOTH PVC PIPE	2
8A	MEC270A W/ANTI-DRIP VALVE & NOZZLE (RED)	6
9	1/2" X 1-1/2" SMOOTH PVC PIPE	1
10	1/2" PVC MALE NPT X SOCKET	1
11	1/2" PVC NPT UNION	1
12	1/2" X 1-1/4" PVC CLOSE NPT NIPPLE	2
12A	1/2" X 4 1/2" NPT BRASS NIPPLE	1
13	L180B33Z610A 1/2" SOLENOID VALVE	1
14*	1/2" X 1/4" X 1/2" NPT STRAINER	1
15	1/2" QUICK SEAL (32-00002)	1
16	1/2" X 13" SMOOTH PVC PIPE	2
16A	CC-213 w/CC-929 NOZZLE	6
17	1/2" CLOSE NPT BRASS NIPPLE (4568K171)	3
19*	1/4" CONNECTION PRESSURE SWITCH (EC260)	1
20	1/2" BRASS NPT ELBOW	1
21	1/2" X 5" SMOOTH PVC NIPPLE	1

*1ST HOLE: SEE TABLE FOR LOCATION DETAILS



*1ST HOLE: SEE TABLE FOR LOCATION DETAILS

NOTES: Max. Water Pressure: 50 psi. @ 70°F
 Max. Water Temperature: 125°F
 Max. Water Flow Rate: 3.9 GPH
 Max. Recommend Water Hardness <1 GPG or < 17 ppm

Material: N/A
 Blank Size: N/A x N/A
 Weight: N/A lbs

CONFIDENTIAL

Part Number: N/A
 MACOLA/AX Number: N/A
 Drawing Name: EC 1 Tubing Assembly
 Drawn By: BRH
 Parent Assembly: EC 1
 Sheet: 2 of 2

Unless Otherwise Specified
 Dimensions are in Inches.

Standard Tolerances are:
 Fractions: ±1/16
 Decimal: .XX±.05
 .XXX±.015
 Angles: ±1°