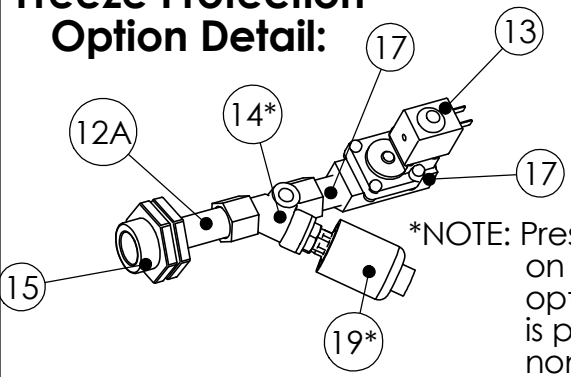


Freeze Protection Option Detail:



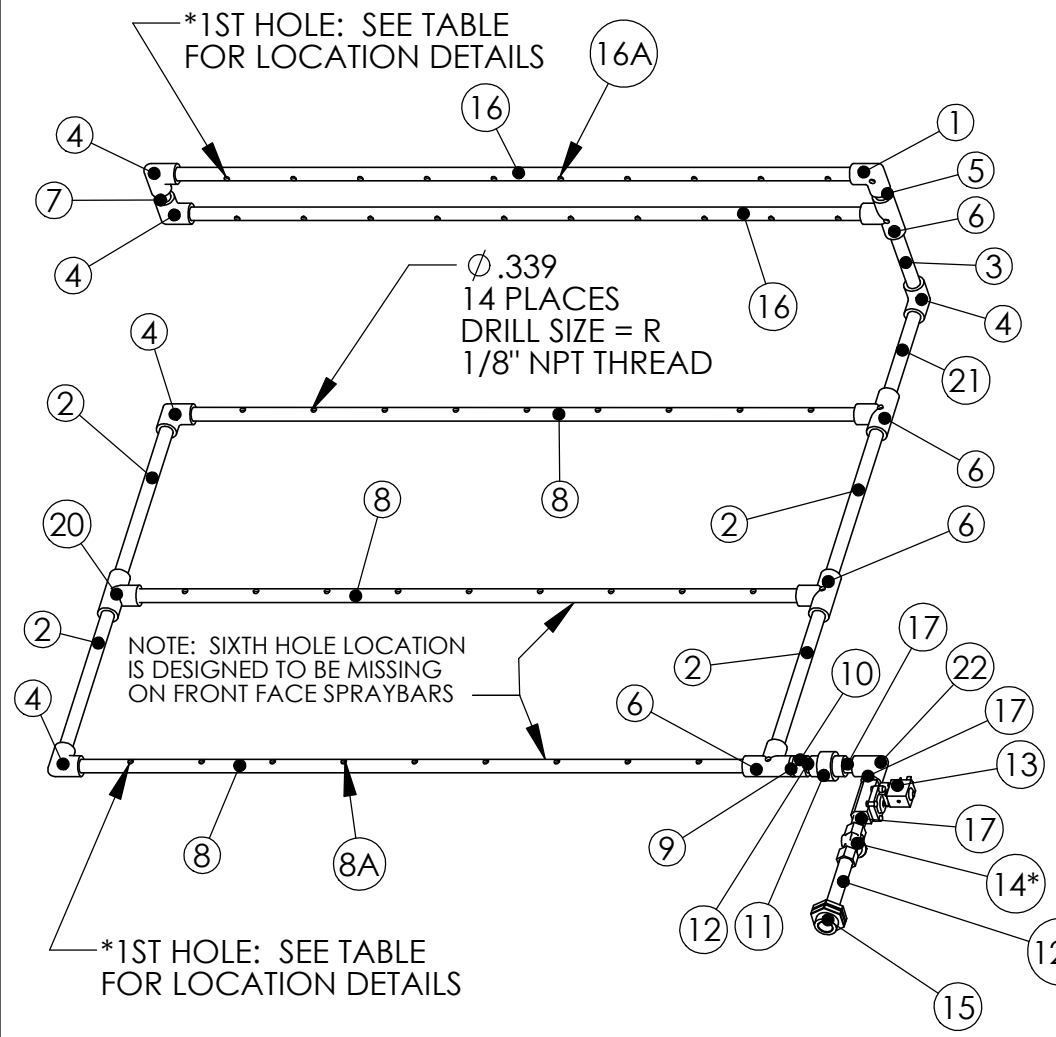
*NOTE: Pressure Switch is only installed on units with Freeze protection option. 1/4" connection on strainer is plugged in all standard non-freeze-protection cases.

Spraybar Hole Locations

Spray Bar Type	1st Hole* distance to end (On Center)	Hole to hole spacing (On Center)	# of Holes on bar (Not Including Elbow or Tee)
Item # 8 - Lower SB	3.75"	5.0"	7
Item # 16 - Top SB	3.75"	5.15"	8

BILL OF MATERIALS

ITEM NUMBER	DESCRIPTION	QUANTITY
1	1/2" PVC SMOOTH ELBOW W/ NOZZLE HOLE	1
2	1/2" X 13-1/4" SMOOTH PVC PIPE	4
3	1/2" X 6" SMOOTH PVC PIPE	1
4	1/2" PVC SMOOTH ELBOW	6
5	1/2" X 2" SMOOTH PVC PIPE	1
6	1/2" SMOOTH PVC "T" W/ NOZZLE HOLE	4
7	1/2" X 2-1/4" SMOOTH PVC PIPE	1
8	1/2" X 43" SMOOTH PVC PIPE	3
8A	MEC270A W/ANTI-DRIP VALVE & NOZZLE (RED)	24
9	1/2" X 1-1/2" SMOOTH PVC PIPE	1
10	1/2" PVC MALE NPT X SOCKET	1
11	1/2" PVC NPT UNION	1
12	1/2" X 1-1/4" PVC CLOSE NPT NIPPLE	1
12A	1/2" X 5" NPT BRASS NIPPLE	1
13	L180B33Z610A 1/2" SOLENOID VALVE	1
14*	1/2" X 1/4" X 1/2" NPT STRAINER	1
15	1/2" QUICK SEAL (32-00002)	1
16	1/2" X 44-1/4" SMOOTH PVC PIPE	2
16A	CC-213 w/CC-929 NOZZLE	18
17	1/2" CLOSE NPT BRASS NIPPLE (4568K171)	3
19*	1/4" CONNECTION PRESSURE SWITCH (EC260)	1
20	1/2" SMOOTH TEE	1
21	1/2" X 13-3/4" SMOOTH PVC PIPE	1
22	1/2" BRASS NPT ELBOW	1



NOTES:
 Max. Water Pressure: 50 psi. @ 70°F
 Max. Water Temperature: 125°F
 Max. Water Flow Rate: 12.6 GPH
 Max. Recommended Water Hardness < 1 GPG or < 17ppm

Material: N/A	Part Number: N/A
Blank Size: N/A x N/A	MACOLA Number: N/A
Weight: N/A lbs	Drawing Name: EC 5 Tubing Assembly
CONFIDENTIAL	Drawn By: BRH
	Parent Assembly: EC 5
	Sheet: 2 of 2

Unless Otherwise Specified
Dimensions are in Inches.

Standard Tolerances are:
 Fractions: ±1/16
 Decimal: .XX±.05
 .XXX±.015
 Angles: ±1°