

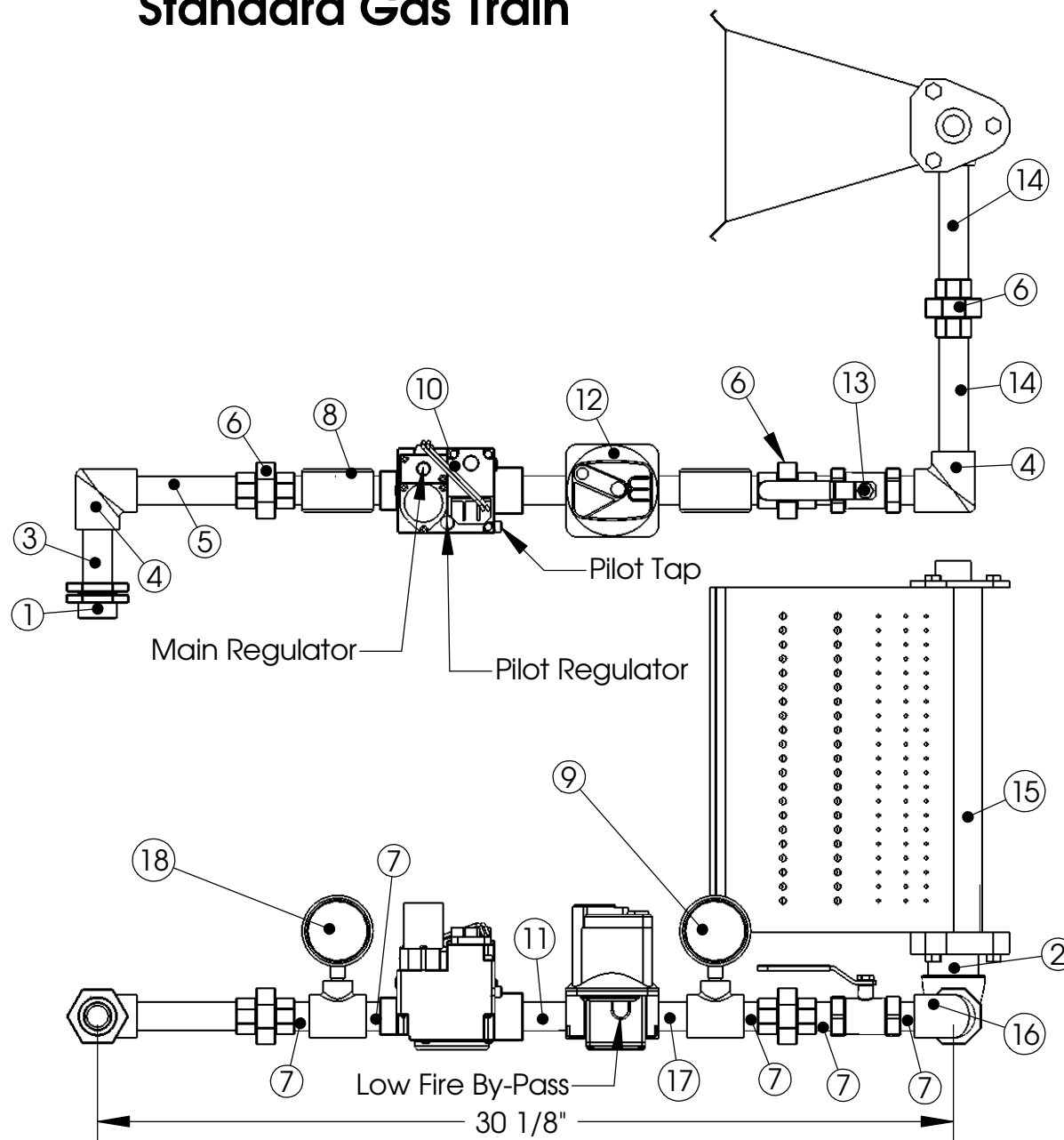
DF-1 GAS  
TRAIN

8/28/2014

BILL OF MATERIALS

ITEM NUMBER	Description	Quantity
1	3/4" Quick Seal	1
2	1-1/2" Close Nipple	1
3	3/4" x 3" Nipple	1
4	3/4" 90° Elbow	2
5	3/4" x 5" Nipple	1
6	3/4" Union	3
7	3/4" Close Nipple	6
8	3/4" x 3/4" x 1/4" Tee	2
9	-5-15 w.c. Gas Pressure Gauge	1
10	White Rodgers 36H32-440B1 3/4" Combination Valve	1
11	3/4" x 3" Nipple	1
12	Maxitrol M511 3/4" Modulating Valve	1
13	3/4" Manual Ball Valve	1
14	3/4" x 5" Nipple	2
15	6" or 12" Midco Dual Fuel Burner	1
16	1-1/2" x 3/4" Reducing 90° Elbow	1
17	3/4" x 2" Nipple	1
18	0-35" w.c. Gas Pressure Gauge	1

# Standard Gas Train



**NOTES:**

Gas Type: Natural or LP  
 Inlet Pressure: 7 in. w.c. - 14 in. w.c.  
 Max. Natural Gas Manifold Pressure: 5 in. w.c.  
 Max. LP Manifold Pressure: 2.5 in. w.c.

External Ball Valve Shipped Loose in Control Cabinet

External High Gas Pressure Regulator Required when gas pressure exceeds 14 in. w.c.:  
 P/N = 143-80-2-3/4-G-5/8 (10 psi. max.)

Material: N/A  
 Blank Size: N/A x N/A  
 Weight: N/A lbs

Part Number: N/A  
 MACOLA/AX Number:  
 Drawing Name: DF 1 Gas Train  
 Drawn By: BRH  
 Parent Assembly: DF 1  
 Sheet: 2 of 4

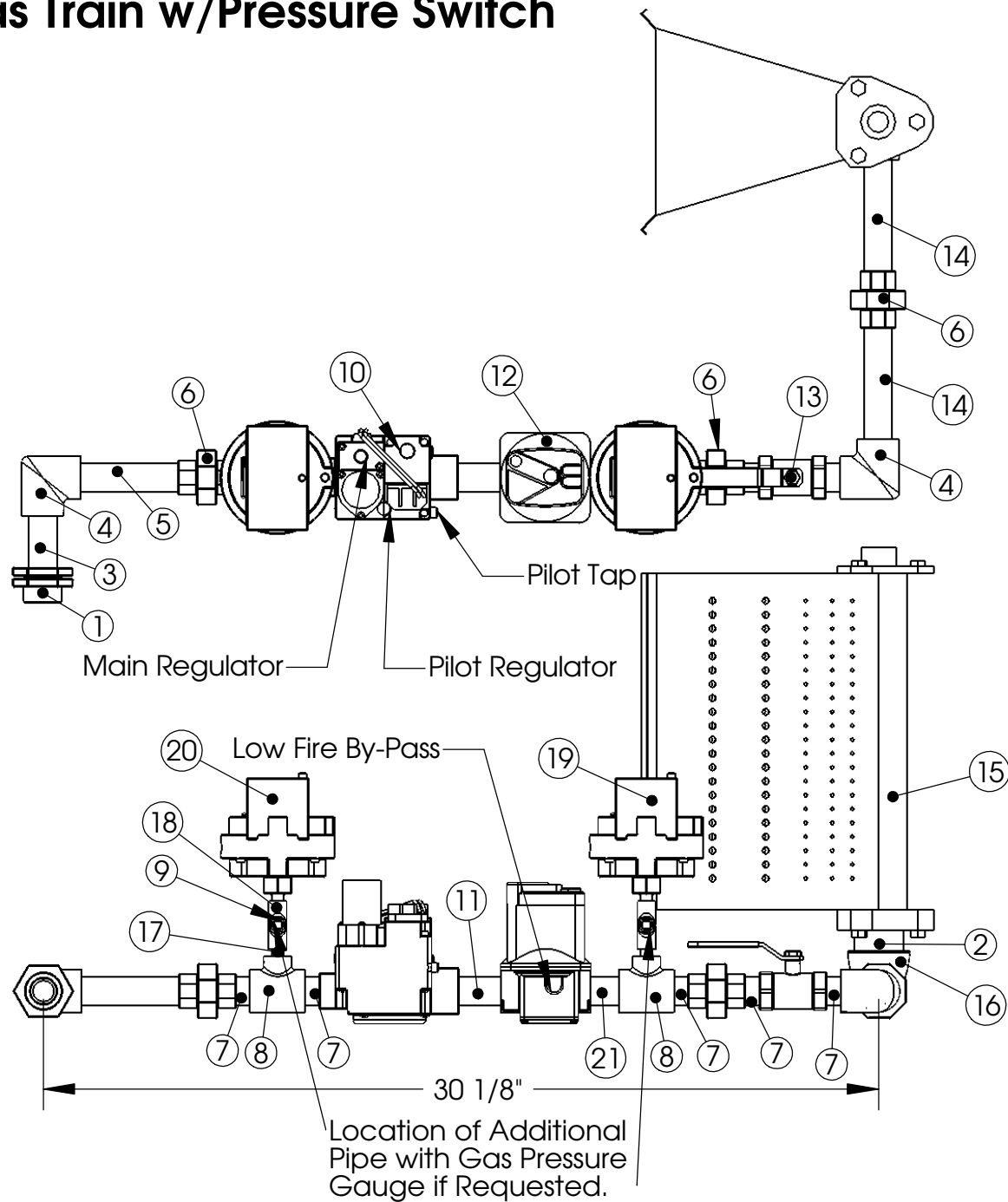
Unless Otherwise Specified  
 Dimensions are in Inches.  
 Standard Tolerances are:  
 Fractions: ±1/16  
 Decimal: .XX±.05  
 .XXX±.015  
 Angles: ±1°

**CONFIDENTIAL**

**BILL OF MATERIALS**

ITEM NUMBER	Description	Quantity
1	3/4" Quick Seal	1
2	1-1/2" Close Nipple	1
3	3/4" x 3" Nipple	1
4	3/4" 90° Elbow	2
5	3/4" x 5" Nipple	1
6	3/4" Union	3
7	3/4" Close Nipple (1-1/2")	6
8	3/4" x 3/4" x 1/4" Tee	2
9	1/4" Square Head Pipe Plug	2
10	White Rodgers 36H32-440B1 3/4" Combination Valve	1
11	3/4" x 3" Nipple	1
12	Maxitrol M511 3/4" Modulating Valve	1
13	3/4" Manual Ball Valve	1
14	3/4" x 5" Nipple	2
15	6" or 12" Midco Dual Fuel Burner	1
16	1-1/2" to 3/4" 90° Elbow	1
17	1/4" Close Nipple (1")	4
18	1/4" x 1/4" x 1/4" Tee	2
19	Optional Antunes HGP-A M1 Pressure Sw itch	1
20	Optional Antunes LGP-A M1 Pressure Sw itch	1
21	3/4" x 2" Nipple	1

# Gas Train w/Pressure Switch



**NOTES:**

Gas Type: Natural or LP  
 Inlet Pressure: 7 in. w.c. - 14 in. w.c.  
 Max. Natural Gas Manifold Pressure: 5 in. w.c.  
 Max. LP Manifold Pressure: 2.5 in. w.c.

External Ball Valve Shipped Loose in Control Cabinet

External High Gas Pressure Regulator Required when gas pressure exceeds 14 in. w.c.:  
 P/N = 143-80-2-3/4-G-5/8 (10 psi. max.)

Material: N/A  
 Blank Size: N/A x N/A  
 Weight: N/A lbs

Part Number: N/A  
 MACOLA/AX Number:  
 Drawing Name: DF 1 Gas Train  
 Drawn By: BRH  
 Parent Assembly: DF 1  
 Sheet: 3 of 4

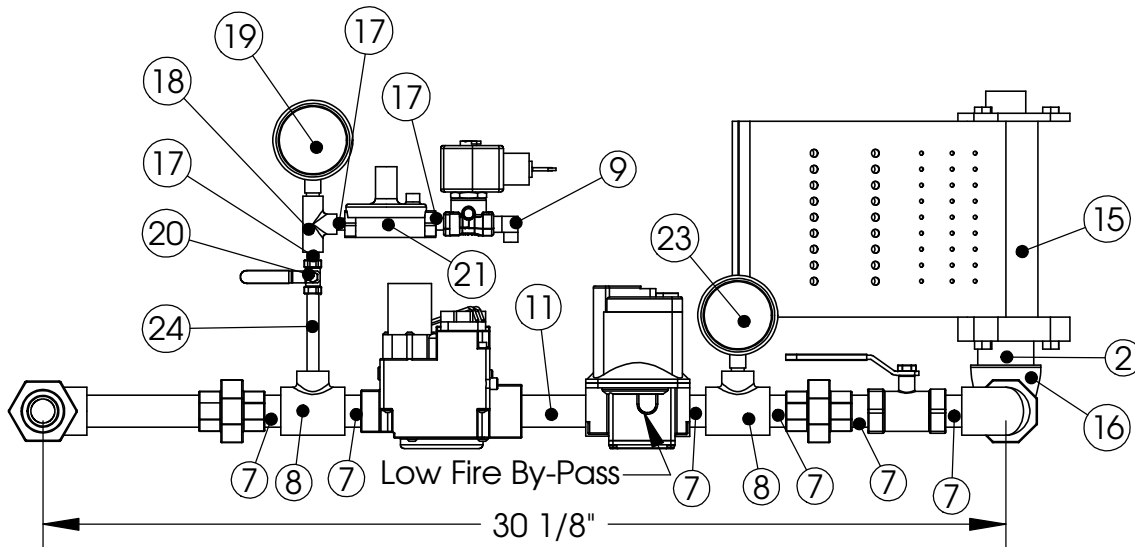
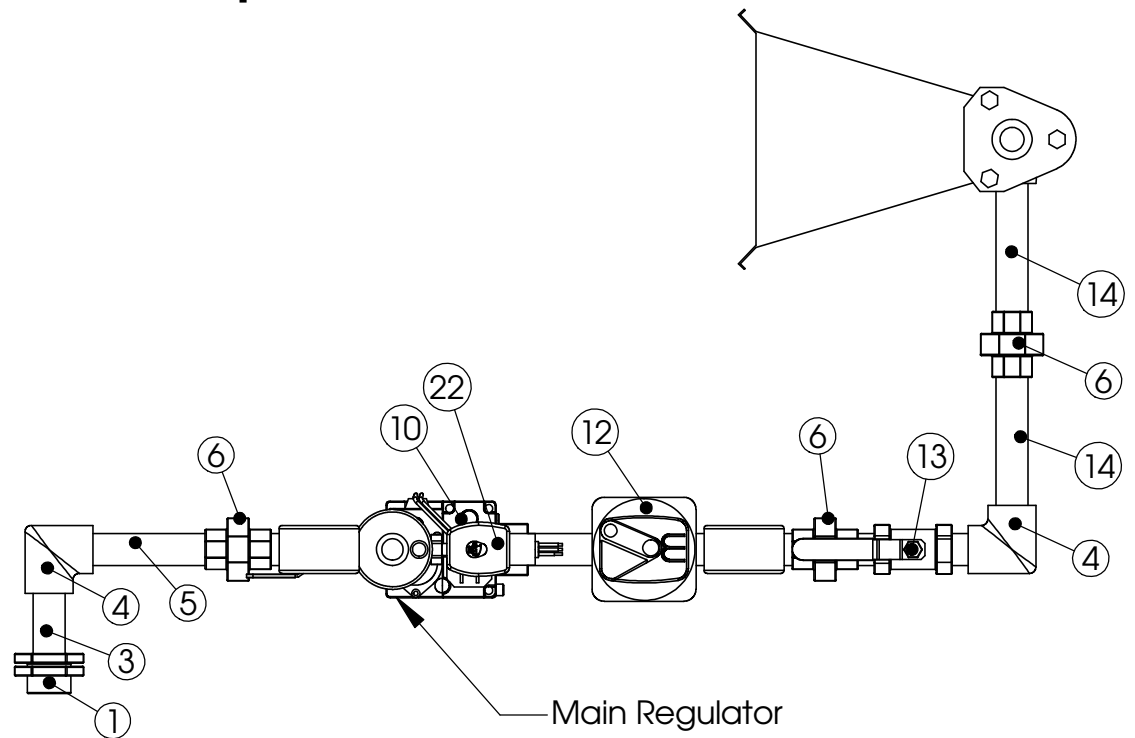
Unless Otherwise Specified  
 Dimensions are in Inches.  
 Standard Tolerances are:  
 Fractions: ±1/16  
 Decimal: .XX±.05  
 .XXX±.015  
 Angles: ±1°

**CONFIDENTIAL**

**BILL OF MATERIALS**

ITEM NUMBER	Description	Quantity
1	3/4" Quick Seal	1
2	1-1/2" Close Nipple	1
3	3/4" x 3" Nipple	1
4	3/4" 90° Elbow	2
5	3/4" x 5" Nipple	1
6	3/4" Union	3
7	3/4" Close Nipple (1-1/2")	6
8	3/4" x 3/4" x 1/4" Tee	2
9	1/4" Brass 90 Elbow	1
10	White Rodgers 36H32-440B1 3/4" Combination Valve	1
11	3/4" x 3" Nipple	1
12	Maxitrol M511 3/4" Modulating Valve	1
13	3/4" Manual Ball Valve	1
14	3/4" x 5" Nipple	2
15	6" or 12" Midco Dual Fuel Burner	1
16	1-1/2" to 3/4" 90° Elbow	1
17	1/4" Close Nipple (1")	5
18	1/4" x 1/4" x 1/4" Tee	1
19	0-35" w.c. Gas Pressure Gauge	1
20	1/4" Manual Ball Valve	1
21	RV20LW-22-0002 1/4" Regulator	1
22	V4046C1021 Solenoid Valve	1
23	-5-15 w.c. Gas Pressure Gauge	1
24	1/4" x 3" Nipple	1

# Gas Train w/Upstream Pilot



**NOTES:**  
 Gas Type: Natural or LP  
 Inlet Pressure: 7 in. w.c. - 14 in. w.c.  
 Max. Natural Gas Manifold Pressure: 5 in. w.c.  
 Max. LP Manifold Pressure: 2.5 in. w.c.  
 External Ball Valve Shipped Loose in Control Cabinet  
 External High Gas Pressure Regulator Required when gas pressure exceeds 14 in. w.c.:  
 P/N = 143-80-2-3/4-G-5/8 (10 psi. max.)

Material: N/A  
 Blank Size: N/A x N/A  
 Weight: N/A lbs

Part Number: N/A  
 MACOLA/AX Number:  
 Drawing Name: DF 1 Gas Train  
 Drawn By: DDH  
 Parent Assembly: DF 1  
 Sheet: 4 of 4

Unless Otherwise Specified  
 Dimensions are in Inches.  
 Standard Tolerances are:  
 Fractions: ±1/16  
 Decimal: .XX±.05  
 .XXX±.015  
 Angles: ±1°

**CONFIDENTIAL**